



carbatec®

**GR-S200P  
CARBATEC 8" LOW SPEED  
750W BENCH GRINDER**

**INSTRUCTIONS MANUAL**

[carbatec.com.au](http://carbatec.com.au)

V.5

**2** YEAR  
WARRANTY

# THANK YOU FOR CHOOSING carbatec®

Carbatec has been a trusted brand for woodworking enthusiasts and professionals across Australia and New Zealand, since 1987.

Our quality woodworking products are designed and built to offer value and performance, making the latest features and technological advancements more accessible to Aussie woodworkers.

Backed by our no-fuss after-sales care and warranty support, you can trust Carbatec to keep you woodworking, as promised.

**We look forward to sharing in your woodworking journey!**

If you have any questions about our products or service, please call us on **1800 658 111** or email us at [info@carbatec.com.au](mailto:info@carbatec.com.au)

#### Find us on social media



[facebook.com/Carbatec](https://facebook.com/Carbatec)



[instagram.com/Carbatec](https://instagram.com/Carbatec)



[youtube.com/@CarbatecTheHomeOfWoodworking](https://youtube.com/@CarbatecTheHomeOfWoodworking)

# WHAT'S IN THE BOX

## UNPACKING AND CHECKING CONTENTS

This Bench Grinder will require a minimal amount of assembly.

1. Remove parts from all of the cartons and lay them on a clean work surface.
2. Remove any protective materials and coatings from all of the parts and the bench grinder. The protective coatings can be removed by spraying WD-40 on them and wiping it off with a soft cloth. This may need to be redone several times before all of the protective coatings are removed completely.

### ! CAUTION

**CAUTION: DO NOT** use acetone, gasoline or lacquer thinner to remove any protective coatings.

3. Compare the items to **Figure C**; verify that all items are accounted for before discarding the shipping box.

### ! WARNING

If any parts are missing, do not attempt to plug in the power cord and turn **"ON"** the Bench Grinder. The Bench Grinder can only be turned **"ON"** after all the parts have been obtained and installed correctly.

The following items are provided in the shipping box:



- A. Grinder
- B. Tool rest & locking knob, right
- C. Tool rest & locking knob, left
- D. Eye shield & mounting bracket, left
- E. Eye shield & mounting bracket, right
- F. Spark arrestors, x2
- G. Tool rest support, right
- H. Tool rest support, left

# IMPORTANT

**DUST COLLECTION:** All woodworking machines require effective dust extraction to ensure quality work and longevity of the machine itself. Failure to connect your machine to a suitable dust collector may affect your warranty. The collector required for your machine will depend on several factors including the type of machine and its dust port connection, distance between collector and machine, type and frequency of use and the material being worked. We recommend a dust collector that will provide you a minimum airflow of 500-CFM when measured at the machine connection.


4

Key information can be found on the inspection panel, found on the rear of the machine.

**carbatec**  
QUALITY INSPECTED

Model:
Voltage
Freq:
Phase:
Amp:
kW:
Speed:
Lot No.:
Serial No.:
Date:

Made in **for:**  
**CARBATEC PTY LTD**  
Brisbane - Australia




Record the serial number and date of purchase in your manual for future reference.

SERIAL NUMBER:

.....

DATE OF PURCHASE:

.....

# CONTENTS

---

<b>Introduction</b>	<b>2</b>
<b>What's in the box</b>	<b>3</b>
<b>Key information</b>	<b>4</b>
<b>Safety instructions - General</b>	<b>7-10</b>
<b>Safety instructions - Bench Grinders</b>	<b>11-12</b>
<b>Safety instructions - Electrical</b>	<b>13</b>
<b>Specifications</b>	<b>14</b>
<b>Overview</b>	<b>15</b>
<b>Assembly</b>	<b>17-19</b>
<b>Operation</b>	<b>21-23</b>
<b>Maintenance</b>	<b>24</b>
<b>Parts diagram</b>	<b>26</b>
<b>Parts list</b>	<b>27</b>
<b>Wiring diagram</b>	<b>28</b>
<b>Troubleshooting</b>	<b>29-30</b>
<b>Warranty details</b>	<b>31</b>

---



# SAFETY INSTRUCTIONS

**IMPORTANT!** Safety is the single most important consideration in the operation of this equipment. The following instructions must be followed at all times. Failure to follow all instructions listed below may result in electric shock, fire, and/or serious personal injury. There are certain applications for which this tool was designed. We strongly recommend that this tool not be modified and/or used for any other application other than that for which it was designed. If you have any questions about its application, do not use the tool until you have contacted us and we have advised you.

The purpose of safety symbols is to attract your attention to possible dangers. The safety symbols and the explanations with them deserve your careful attention and understanding. The symbol warnings do not, by themselves, eliminate any danger. The instructions and warnings they give are no substitutes for proper accident prevention measures.

## **WARNING**

Be sure to read and understand all safety instructions in this manual, including all safety alert symbols such as "**DANGER**," "**WARNING**," and "**CAUTION**" before using this tool. Failure to following all instructions listed below may result in electric shock, fire, and/or serious personal injury.

7

## SYMBOL MEANING



A safety alert symbol Indicates **DANGER**, **WARNING**, or **CAUTION**. May be used in conjunction with other symbols or pictographs.



**DANGER**

Indicates an imminently hazardous situation, which, if not avoided, will result in death or serious injury.



**WARNING**

Indicates a potentially hazardous situation, which, if not avoided, could result in death or serious injury.



**CAUTION**

Indicates a potentially hazardous situation, which, if not avoided, could result in minor or moderate injury.

**NOTICE**

(Without Safety Alert Symbol) Indicates a situation that may result in property damage.



Carbatec products bearing the Regulatory Compliance Mark (RCM) have been tested in accordance with applicable Australian/New Zealand Standards to ensure their compliance with all mandatory standards and regulations (applicable at time of original sale). Carbatec Pty Ltd are registered as a responsible supplier with relevant Australian government departments and our products are registered on the EESS & ACMA database.

# GENERAL SAFETY

Operating a power tool can be dangerous if safety and common sense are ignored. The operator must be familiar with the operation of this machine. Read this manual to understand this machine. **DO NOT** operate this machine if you do not fully understand the limitations of this tool. **DO NOT** modify this machine in any way.

## BEFORE USING THIS MACHINE



### WARNING

To avoid serious injury and damage to the tool, read and follow all of the Safety and Operating Instructions before operating the machine.



### WARNING

1. Some dust created by using power tools contains chemicals to cause cancer, birth defects, or other reproductive harm. Some examples of these chemicals are:
  - Lead from lead-based paints.
  - Crystalline silica from bricks, cement, and other masonry products.
  - Arsenic and chromium from chemically treated lumber

Your risk from these exposures varies, depending on how often you do this type of work. To reduce your exposure to these chemicals: work in a well ventilated area and work with approved safety

equipment, such as those dust masks that are specially designed to filter out microscopic particles.

2. **READ** the entire Owner's Manual. **LEARN** how to use the tool for its intended applications.
3. **GROUND ALL TOOLS.** If the tool is supplied with a 3-prong plug, it must be plugged into a 3-contact electrical receptacle. The 3rd prong is used to ground the tool and provide protection against accidental electric shock.
4. **AVOID A DANGEROUS WORKING ENVIRONMENT. DO NOT** use electrical tools in a damp environment or expose them to rain.
5. **DO NOT** use electrical tools in the presence of flammable liquids or gasses.
6. **ALWAYS** keep the work area clean, well lit, and organized. **DO NOT** work in an environment with floor surfaces that are slippery from debris, grease, and wax.
7. **KEEP VISITORS AND CHILDREN AWAY. DO NOT** permit people to be in the immediate work area, especially when the electrical tool is operating.
8. **DO NOT FORCE THE TOOL** to perform an operation for which it was not designed. It will do a safer and higher quality job by only performing operations for which the tool was intended.



- 9. WEAR PROPER CLOTHING.**  
**DO NOT** wear loose clothing, gloves, neckties, or jewelry. These items can get caught in the machine during operations and pull the operator into the moving parts. The user must wear a protective cover on their hair, if the hair is long, to prevent it from contacting any moving parts.
- 10. CHILDPROOF THE WORKSHOP AREA**  
by removing switch keys, unplugging tools from the electrical receptacles, and using padlocks.
- 11. ALWAYS UNPLUG THE TOOL FROM THE ELECTRICAL RECEPTACLE**  
when making adjustments, changing parts or performing any maintenance.
- 12. KEEP PROTECTIVE GUARDS IN PLACE AND IN WORKING ORDER.**
- 13. AVOID ACCIDENTAL STARTING.** Make sure that the power switch is in the "OFF" position before plugging in the power cord to the electrical receptacle.
- 14. REMOVE ALL MAINTENANCE TOOLS**  
from the immediate area prior to turning "ON" the machine.
- 15. USE ONLY RECOMMENDED ACCESSORIES.** Use of incorrect or improper accessories could cause serious injury to the operator and cause damage to the tool. If in doubt, check the instruction manual that comes with that particular accessory.
- 16. NEVER LEAVE A RUNNING TOOL UNATTENDED.** Turn the power switch to the "OFF" position.  
**DO NOT** leave the tool until it has come to a complete stop.
- 17. DO NOT STAND ON A TOOL.** Serious injury could result if the tool tips over, or you accidentally contact the tool.
- 18. DO NOT** store anything above or near the tool where anyone might try to stand on the tool to reach it.
- 19. MAINTAIN YOUR BALANCE. DO NOT** extend yourself over the tool. Wear oil resistant rubber soled shoes. Keep floor clear of debris, grease, and wax.
- 20. MAINTAIN TOOLS WITH CARE.** Always keep tools clean and in good working order. Keep all blades and tool bits sharp, dress grinding wheels and change other abrasive accessories when worn.
- 21. EACH AND EVERY TIME, CHECK FOR DAMAGED PARTS PRIOR TO USING THE TOOL.** Carefully check all guards to see that they operate properly, are not damaged, and perform their intended functions. Check for alignment, binding or breaking of moving parts. A guard or other part that is damaged should be immediately repaired or replaced.
- 22. DO NOT OPERATE TOOL WHILE TIRED, OR UNDER THE INFLUENCE OF DRUGS, MEDICATION OR ALCOHOL.**

## GENERAL SAFETY

- 23. SECURE ALL WORK.** Use clamps or jigs to secure the work piece. This is safer than attempting to hold the work piece with your hands.
- 24. STAY ALERT, WATCH WHAT YOU ARE DOING, AND USE COMMON SENSE WHEN OPERATING A POWER TOOL.** A moment of inattention while operating power tools may result in serious personal injury.
- 25. ALWAYS WEAR A DUST MASK TO PREVENT INHALING DANGEROUS DUST OR AIRBORNE PARTICLES,** including wood dust, crystalline silica dust and asbestos dust. Direct particles away from face and body. Always operate tool in well ventilated area and provide for proper dust removal. Use dust collection system wherever possible. Exposure to the dust may cause serious and permanent respiratory or other injury, including silicosis (a serious lung disease), cancer, and death. Avoid breathing the dust, and avoid prolonged contact with dust. Allowing dust to get into your mouth or eyes, or lay on your skin may promote absorption of harmful material. Always use properly fitting AS/NZS approved respiratory protection appropriate for the dust exposure, and wash exposed areas with soap and water.
- 26. USE A PROPER EXTENSION CORD IN GOOD CONDITION.** Use of extension cords should be avoided where possible. When using an extension cord, be sure to have a cord heavy enough to carry the current your product will draw, and with compatible pin configuration and connections (NEVER use an extension cord rated at less than your machine). Longer run extensions will need heavier duty extension cords. Only connect your extension cord or machine to a receptacle that accepts your plug and never modify your plug to suit a receptacle.

# SPECIFIC GRINDER SAFETY

The operation of any grinder or power tool can result in debris being thrown into your eyes, which can result in severe and permanent eye damage. **ALWAYS WEAR EYE PROTECTION.** Everyday eyeglasses are **NOT** safety glasses. **ALWAYS** wear Safety Goggles (that comply with AS/NZ Standards) when operating power tools.

Basic precautions should always be followed when using your bench grinder. To reduce the risk of injury, electrical shock, or fire, comply with the safety rules listed below:

1. **ALWAYS USE THE EYE SHIELDS AND WHEEL GUARDS** provided with the grinder.
2. **REPLACE A CRACKED OR DAMAGED GRINDING WHEEL IMMEDIATELY.**  
A damaged wheel can discharge debris at a high velocity towards the operator. Carefully handle the grinding wheels since they are abrasive. Prior to replacing a grinding wheel, check it for cracks. **DO NOT** remove the blotter or label on both sides of the grinding wheel. Tighten the spindle nut just enough to hold the grinding wheel firmly to the Bench Grinder. **DO NOT** over-tighten the nut. Excessive clamping force can damage the grinding wheel. Only use the wheel flanges provided with the grinder. When selecting a replacement grinding wheel use only properly sized wheels, and verify that the grinding wheel has a higher R.P.M. rating than the maximum R.P.M. of the Bench Grinder.
3. **THE DIAMETER OF THE GRINDING WHEELS WILL DECREASE WITH USE.**  
Adjust the tool rests and spark arrestors to maintain a distance of 1.5mm from the wheel.
4. **DO NOT STAND IN FRONT OF THE BENCH GRINDER WHEN STARTING IT.**  
Stand to one side of the Bench Grinder and turn it **"ON"**. Wait at the side for one minute until the grinder comes up to full speed. There is always a possibility that debris from a damaged grinding wheel may be discharged towards the operator.
5. **THE BENCH GRINDER WILL PRODUCE SPARKS AND DEBRIS DURING GRINDING OPERATIONS.**  
Be sure that there are not any flammable materials in the vicinity. Frequently clean grinding dust from the back of the Bench Grinder.
6. **NEVER FORCE THE WORK PIECE AGAINST A GRINDING WHEEL,** especially if the wheel is cold. Apply the work piece slowly, allowing the grinding wheel an opportunity to warm up. This will minimize the chance of wheel breakage. **DO NOT** grind using the sides of the grinding wheels. **DO NOT** apply coolant directly to the grinding wheel.
7. **KEEP ALL WHEEL GUARDS IN PLACE.**  
Do not use the bench grinder with the wheel guards removed.

## SPECIFIC GRINDER SAFETY

8. **KEEP THE TOOL RESTS FIRMLY IN PLACE AND TIGHTENED.** Use them to safely position your material for grinding.
9. **ALWAYS USE A WHEEL DRESSER TO RESURFACE THE FACE OF THE GRINDING WHEEL. (NOT INCLUDED)**
10. **DRESS THE GRINDING WHEEL OFTEN.**  
This will keep the wheel surface flat and free of nicks and residue/glaze.
11. **REMOVE ADJUSTING KEYS AND WRENCHES.** Form a habit of checking to see that keys and adjusting wrenches are removed from grinder before turning it on.
12. **ALLOW THE GRINDER TO ATTAIN FULL SPEED BEFORE BEGINNING WORK.**
13. **NEVER STOP THE GRINDER BY FORCING MATERIAL INTO THE WHEEL.**  
Let the grinder stop rotating on its own.
14. **SECURE THE BENCH GRINDER** to a stand or workbench to prevent sliding or tipping during use. See page 17.
15. **FREQUENTLY** clean grinding dust from inside of the guards and beneath the grinder.
16. **NEVER GRIND SMALL STOCK** without it being properly supported on the tool rests, and held by pliers or clamps.
17. **DO NOT FORCE THE TOOL** to perform an operation for which it was not designed. It will do a safer and higher quality job by only performing operations for which the tool was intended.
18. **ADDITIONAL INFORMATION** regarding the safe and proper operation of this product is available from:
  - **Workplace Health and Safety Electrical Safety Office Workers' Compensation Regulator**  
[www.worksafe.qld.gov.au](http://www.worksafe.qld.gov.au)
  - **The Government of Western Australia Department of Mines, Industry Regulation and Safety**  
[www.commerce.wa.gov.au](http://www.commerce.wa.gov.au)
  - **South Australia Department for Education Guidelines for the safe use of machinery**  
[www.education.sa.gov.au](http://www.education.sa.gov.au)
  - **WorkSafe New Zealand**  
[www.worksafe.govt.nz](http://www.worksafe.govt.nz)
19. **SAVE THESE INSTRUCTIONS.**  
Refer to them frequently and use them to instruct others.

# ELECTRICAL SAFETY

## WARNING

**THIS TOOL MUST BE GROUNDED WHILE IN USE TO PROTECT THE OPERATOR FROM ELECTRIC SHOCK.**

**IN THE EVENT OF A MALFUNCTION OR BREAKDOWN**, grounding provides the path of least resistance for electric current and reduces the risk of electric shock. This tool may be equipped with an electric cord that has an equipment grounding conductor and a grounding plug. The plug **MUST** be plugged into a matching electrical receptacle that is properly installed and grounded in accordance with **ALL** local codes and ordinances.

### **DO NOT MODIFY THE PLUG PROVIDED.**

If it will not fit the electrical receptacle, have the proper electrical receptacle installed by a qualified electrician.

**IMPROPER ELECTRICAL CONNECTION** of the equipment grounding conductor can result in risk of electric shock. The conductor with the green insulation (with or without yellow stripes) is the equipment grounding conductor. **DO NOT** connect the equipment grounding conductor to a live terminal if repair or replacement of the electric cord or plug is necessary.

**CHECK** with a qualified electrician or service personnel if you do not completely understand the grounding instructions, or if you are not sure the tool is properly grounded.

**USE ONLY A 3-WIRE EXTENSION CORD THAT HAS A 3-PRONG GROUNDING PLUG AND A 3-POLE RECEPTACLE THAT ACCEPTS THE TOOL'S PLUG. REPLACE A DAMAGED OR WORN CORD IMMEDIATELY.**

Power tools and machinery are intended for use on a circuit that has an electrical receptacle as shown in **FIGURE A**. **FIGURE A** shows a 10 Amp 3-wire electrical plug and corresponding electrical receptacle that has a grounding conductor.

If this particular tool has been designed and fitted with a two prong electrical plug, ensure it displays the 'Double Insulated' logo shown in **FIGURE B**, before connecting to a 3-wire receptacle.

## WARNING

**NEVER MODIFY THE STANDARD FITTED ELECTRICAL PLUGS TO FIT YOUR RECEPTACLE.**



# SPECIFICATIONS

<b>BARCODE</b>	9333827369656
<b>WARRANTY</b>	2 Year
<b>RATED VOLTAGE:</b>	230V / 50Hz / 3A
<b>RATED POWER:</b>	750W Induction motor
<b>SWITCH:</b>	Push Button NVR (No Volt Release)
<b>MOTOR SPEED:</b>	1450rpm
<b>WHEEL SIZE</b>	200 x 25 x 5/8" mm
<b>SPINDLE SIZE:</b>	5/8"
<b>STONE GRIT/S:</b>	Left Wheel #80 Aluminium Oxide Right Wheel #120 Aluminium Oxide
<b>MOUNTING HOLES:</b>	(2x) Dia 10mm - 210mm apart
<b>DUST PORT/S:</b>	2x 31mm (1-1/4")
<b>SPARK DEFLECTORS:</b>	2x
<b>EYESHIELDS:</b>	Oval / non-magnifying
<b>WEIGHT (GROSS/NET)</b>	27.8 kg / 24 kg
<b>PACKING SIZE</b>	600 x 420 x 330 mm

**NOTE:** The specifications, photographs, drawings and information in this manual represent the current grinder model when the manual was prepared. Changes and improvements may be made at any time, with no obligation on the part of Carbatec to modify previously delivered units. Reasonable care has been taken to ensure that the information in this manual is correct, to provide you with the guidelines for the proper safety, assembly and operation of this machine.

# OVERVIEW



## GR-S200P 8" LOW SPEED 1HP BENCH GRINDER OVERVIEW (Fig. D)

- |   |                                |
|---|--------------------------------|
| A. Eye Shield Assembly, Left, Clear x2  | G. Rubber Foot x4              |
| B. Eye Shield Assembly, Right, Clear x2 | H. Mounting Hole x2            |
| C. 8" Grinding Wheel, 80 Grit           | I. Dust Port x2                |
| D. Tool Rest x2                         | J. 8" Grinding Wheel, 120 Grit |
| E. Tool Rest Adjustment Knobs x2        | K. Wheel Cover x2              |
| F. On/Off Switch (with locking cover)   | L. Spark Arrestor x2           |

**NOTE:** Full Parts Explosion and Parts List are listed on pages 22 and 23.

### TOOLS REQUIRED FOR ASSEMBLY (not included):

13mm or an Adjustable Wrench

#2 Phillips Screwdriver





# ASSEMBLY

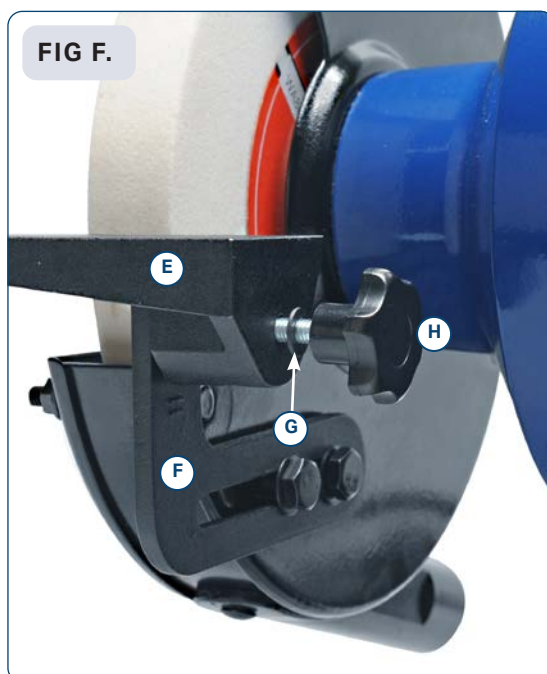
The Bench Grinder is provided with adjustable left and right positioned two-piece tool rests to lay your workpieces on.

1. **DO NOT** assemble the Bench Grinder until you are sure the tool **IS NOT** plugged in.
2. **DO NOT** assemble the Bench Grinder until you are sure the power switch is in the **"OFF"** position.
3. **DO NOT** assemble the Bench Grinder until you are sure the grinding wheels are firmly tightened to the Bench Grinder.

## TOOL RESTS (Figs. E and F)

The Bench Grinder is provided with two Tool Rests assemblies for use with the two different grit grinding wheels. The Left Side Tool Rest is and the Right Side Tool Rest are both entirely flat.

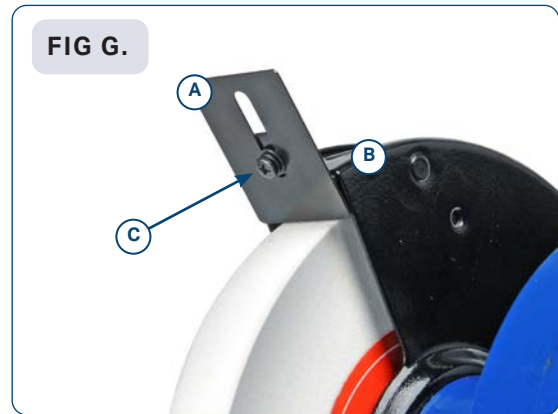
1. Assemble the Tool Rest Supports (A) to the inside surface of the Wheel Covers (B) with the flat washers (C) and hex head bolts (D) as shown. See Figure E.
2. Assemble the Tool Rests (E) to the Supports (F) with the supplied flat washers (G) and Adjustment Knobs M6-15 (H) as shown. See Figure F.
3. Adjust each Tool Rest until its inside edge (I) is 1/16" from the grinding wheel. Firmly tighten the hex bolts and knobs holding the supports. See Figure F.



# ASSEMBLY

## SPARK ARRESTORS (Fig. G)

1. Assemble the Spark Arrestors (A) to the front surface of the Wheel Covers (B) with the pan head screws and washers (C) as shown. See Figure G.
2. Adjust each Spark Arrestor until the lower edge is 1.5mm from the grinding wheel. Then firmly tighten the pan head screws. See Figure G.
3. As the grinding wheel reduces in size from use, re-adjust the spark arrestors so that their lower edges maintain the safe 1.5mm spacing from the wheel.



## EYE SHIELDS (Fig. H)

1. Slide the Safety Shield Assemblies onto the Safety Shield Brackets and tighten the fitted screw. **NOTE:** The slotted part of the safety shield bracket must face towards the grinding wheel guard.
2. Attach the Safety Shield Assembly and Bracket to the Wheel Guard using the square mounting washer, bolt and flat washer.
3. The eye shields should be positioned over the grinding wheel to protect the user against any sparks or debris that may be thrown during use.
4. Adjust the eye shield bracket and eye shield into the desired position above the grinding wheel, then tighten the knobs.



**WARNING**

**ALWAYS USE THE EYE SHIELDS,  
WHEEL GUARDS AND SPARK  
ARRESTORS CORRECTLY  
MOUNTED AND POSITIONED**

## PERMANENT MOUNTING (Fig. I)

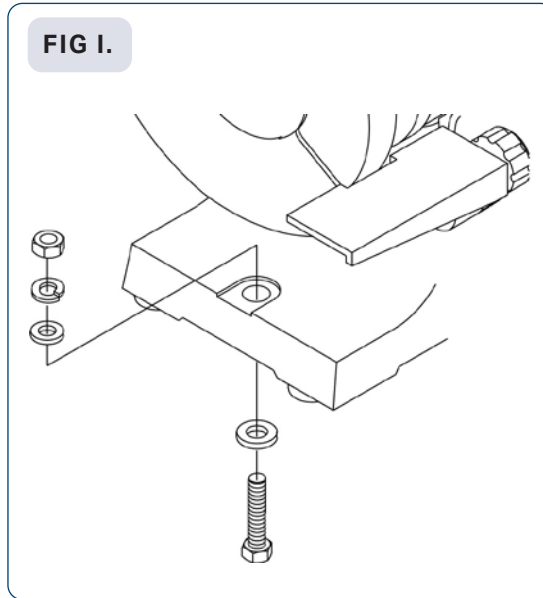
Use the mounting holes in the base of the grinder to firmly attach grinder to a solid work surface or grinder stand (mounting hardware and stand not included). See Figure I.

### WARNING

To avoid serious injury, secure the Bench Grinder to a solid work surface. If the Grinder is not permanently mounted to a work surface, and remains portable, the Grinder's base should be temporarily clamped to a table or board/plywood. Make sure that the clamps do not interfere with the tool rests, wheels or hinders the movement of the user and the material being ground during use.

If the Bench Grinder is not securely mounted, it will have the ability to move or tip over during grinding operations and possibly cause the operator's fingers to contact the grinding wheels.

FIG I.



### CAUTION

**ALWAYS WEAR EYE PROTECTION.** Everyday eyeglasses are **NOT** safety glasses. **ALWAYS** wear Safety Goggles (that comply with AS/NZ Standards) when operating power tools.



# OPERATION

## BEFORE USING GRINDER

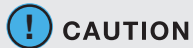
Operating a Bench Grinder can be dangerous if safety and common sense are ignored. The operator must be familiar with the operation of the tool. Read this manual to understand this Bench Grinder. **DO NOT** operate this Bench Grinder if you do not fully understand the limitations of this tool. **DO NOT** modify this Bench Grinder in any way.



### WARNING

To avoid serious injury and damage to the tool, read and follow all of the Safety and Operating Instructions before operating the Bench Grinder.

The Bench Grinder is designed for hand held grinding, and sharpening operations.



### CAUTION

**ALWAYS WEAR EYE PROTECTION.** Hot sparks are produced during grinding operations.

1. Stand to the side of the Bench Grinder and plug in the power cord to a suitable power source.
2. Remain to the side of the Bench Grinder and turn it **"ON"** by moving the power switch to the up position by opening the switch cover and pressing the green start button.
3. Allow the grinding wheels to come up to a steady speed for at least one minute before any grinding is done.
4. Adjust the eye shields. Place the work piece flat on the appropriate tool rest for the desired operation. Firmly hold onto the work piece - use pliers, vise clamps, if necessary.
5. Move the work piece towards the grinding wheel until it lightly touches. Move the work piece back and forth across the front surface of the grinding wheel removing the amount of material desired. Grinding in one spot on the wheel will create uneven wear on the wheel face and require frequent dressing and shorten the life of the wheel.



### WARNING

To avoid serious injury, never grind on the sides of the grinding wheels.

6. Never force the work piece against the grinding wheel, especially if the wheel is cold. Apply the work piece slowly, allowing the grinding wheel an opportunity to warm up. This will minimize the chance of wheel breakage. Do not grind using the sides of the grinding wheels. Do not apply coolant directly to the grinding wheel.
7. If the work piece gets too hot, the operator may place the hot end into water in a quench tray to cool it.
8. After completing the grinding operations, turn **"OFF"** the Bench Grinder by pressing either the red stop button or pressing the switch cover button

# OPERATION

## ! CAUTION

It will take a few minutes for the grinding wheels to come to a complete stop.

- Unplug the Bench Grinder from the power source. **NOTE:** To prevent unauthorised use of the Bench Grinder, remove from power and secure.

## ! WARNING

### FIRE AND EXPLOSION HAZARD!

**DO NOT** connect a Dust Collector that is designed for wood dust, shavings or other flammable materials to the grinder. Hot sparks from the grinder may ignite this material.

Use only a Collector designed for capturing metal dust and swarf.

## ! CAUTION

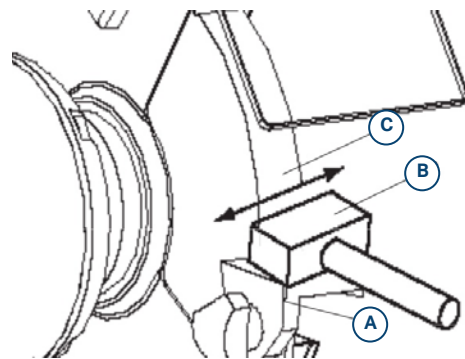
**ALWAYS WEAR EYE PROTECTION.** Everyday eyeglasses are **NOT** safety glasses. **ALWAYS** wear Safety Goggles (that comply with AS/NZ Standards) when operating power tools.

## USING THE WHEEL DRESSER (Fig. J)

A Wheel Dresser (not included) is to be used to remove any forward wobble, buildup up of material on the grinding wheel, remove imperfections, and make the corners of the grinding wheel square. See Figure J.

- Adjust tool rest (A) until it is in the flat horizontal position as shown and 1.5mm away from the grinding wheel.

FIG J.



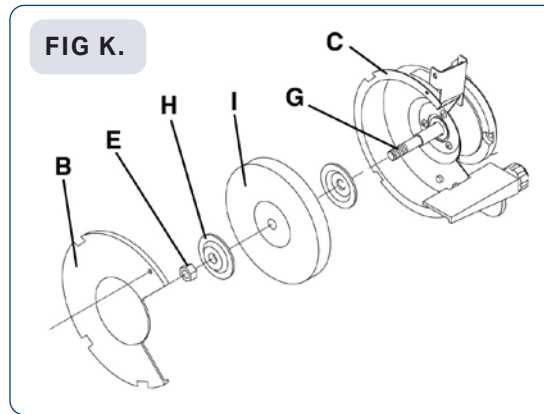
- Turn **"ON"** the Bench Grinder. Let the grinding wheel come up to a steady speed for one minute.
- After the grinding wheel has gotten to a steady speed, place the Wheel Dresser head (B) flat on the Tool Rest.
- Firmly hold on to the handle of the Wheel Dresser.
- Move the Wheel Dresser forward until it makes light contact with the grinding wheel (C). After contact has been made, slide the Wheel Dresser side to side across the Tool Rest to dress the grinding wheel until the edges of the grinding wheel are square and the surface is clean.
- After the dressing the grinding wheel, turn **"OFF"** the Bench Grinder and let the grinding wheel come to a complete stop. Allow the grinding wheel to cool down for a period of 10 minutes before use.

7. Inspect the grinding wheel for any irregularities that still need to be dressed, or for and damage. If there is damage to the wheel (cracks, major chips missing), replace the wheel immediately.
8. The grinding wheel may now be slightly smaller in diameter after dressing. Re-adjust the tool rests and spark arrestors to maintain a 1.5mm clearance to the grinding wheel.

## CHANGING THE GRINDING WHEEL (Fig. K)

Due to normal wear, both wheels will need to be replaced occasionally.

1. Turn the power switch OFF and unplug the power cord from its power source.
2. Rotate the eye shield up to access the tool rest.
3. Loosen the tool rest knob and rotate the tool rest away from the grinding wheel.
4. Remove the Wheel Cover (B) by unscrewing the fasteners that hold it in place.
5. Lightly push a wood wedge between the grinding wheel and the guard to keep the shaft from turning. Then use a crescent wrench to remove the arbor hex nut.
6. **NOTE:** The left hand arbor hex nut (E) is left hand threaded and is loosened by rotating it clockwise. The right hand arbor hex nut is right hand threaded and is loosened by rotating it counter-clockwise.



7. Remove the Outer Wheel Flange (H) and then the abrasive wheel (I) from the arbor shaft (G).

### 8. **CAUTION**

The new abrasive wheel to be put onto the grinder must have a higher R.P.M. rating than the grinder's motor. The new abrasive wheel must have the correct 8" outer wheel diameter and 5/8" bore diameter as original wheels. The labels on the sides of the abrasive wheel must stay on. **DO NOT** remove these labels. These labels or fiber discs help spread the holding pressure of the tightened nuts on the grinding wheel flanges.

9. Replace the abrasive wheel, outer wheel flange and arbor hex nut.

**NOTE:** The left hand arbor hex nut is left hand threaded and is tightened by rotating it counter-clockwise. The right hand arbor hex nut is right hand threaded and is tightened by rotating it clockwise.

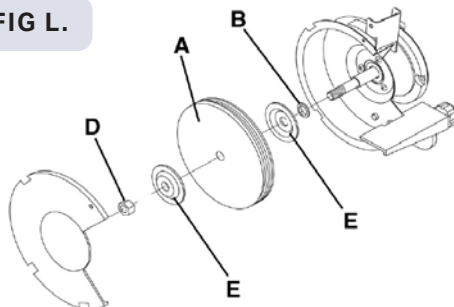
# MAINTENANCE

## ! CAUTION

**DO NOT OVER TIGHTEN** the arbor hex nut as this may damage the abrasive wheel, wheel flanges and cause serious injury to the operator.

10. Replace the wheel cover and secure it back in place on the grinder with the fasteners that were previously removed (step 4).
11. Run the new wheel at full speed for a few minutes to ensure that it is rotating properly.

FIG L.



## BUFFING WHEEL (Fig. L)

A buffing wheel (A) (not included) can be used with your grinder. Depending on the thickness of the wheel, you will need to add one or more spacers (not included) to allow the arbor hex nut (D) to tighten correctly. Figure L shows the correct placement of the spacer (B).

**NOTE:** Spacer (B) should always go onto the arbor shaft first. Always use the wheel flanges (E) that come with the grinder for both wire wheel and buffing wheels. See section **CHANGING THE GRINDING WHEEL** for correct procedure of changing wheels.

## MAINTENANCE OF THE BENCH GRINDER

### ! WARNING

Turn the power switch "**OFF**" and unplug the power cord from its power source prior to any maintenance.

### LUBRICATION

The Bench Grinder has sealed lubricated bearings in the motor housing that do not require any additional lubrication from the operator.

### CLEANING

With the Bench Grinder unplugged, rotate the abrasive wheels slowly and inspect for any damage or trapped debris. Periodically blow areas in and around the grinder to keep the machine and work area clean.

**CAUTION:** Replace the abrasive wheels if there is any damage at all. **FAILURE** to replace a damaged wheel can cause serious injury to the operator. Periodically check all nuts and fasteners to make sure that they are secure.

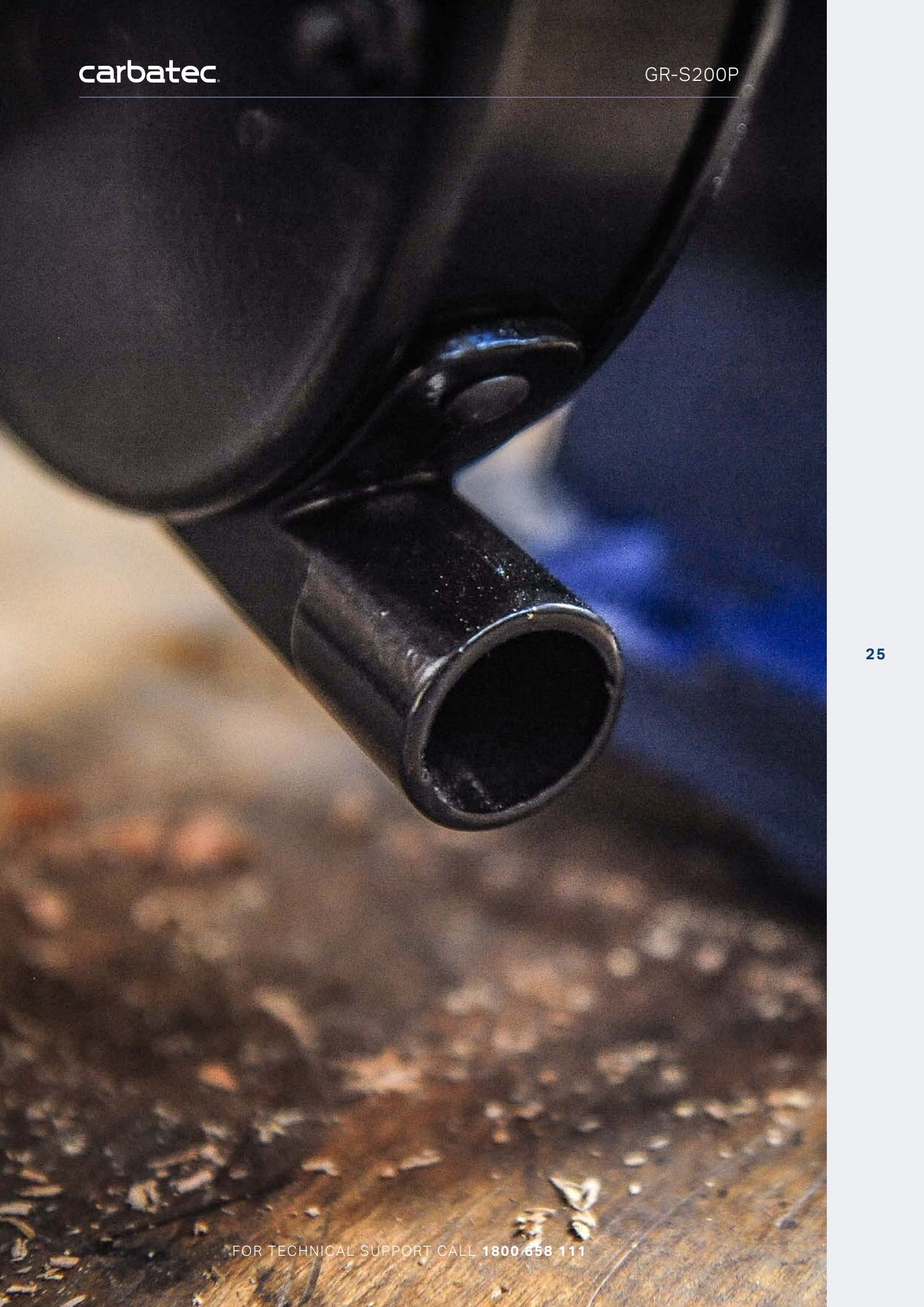
### CAUTION: DO NOT USE FLAMMABLE

**MATERIALS** to clean the Bench Grinder. A clean dry rag or brush is all that is needed to remove dust and debris buildup.

### ! WARNING

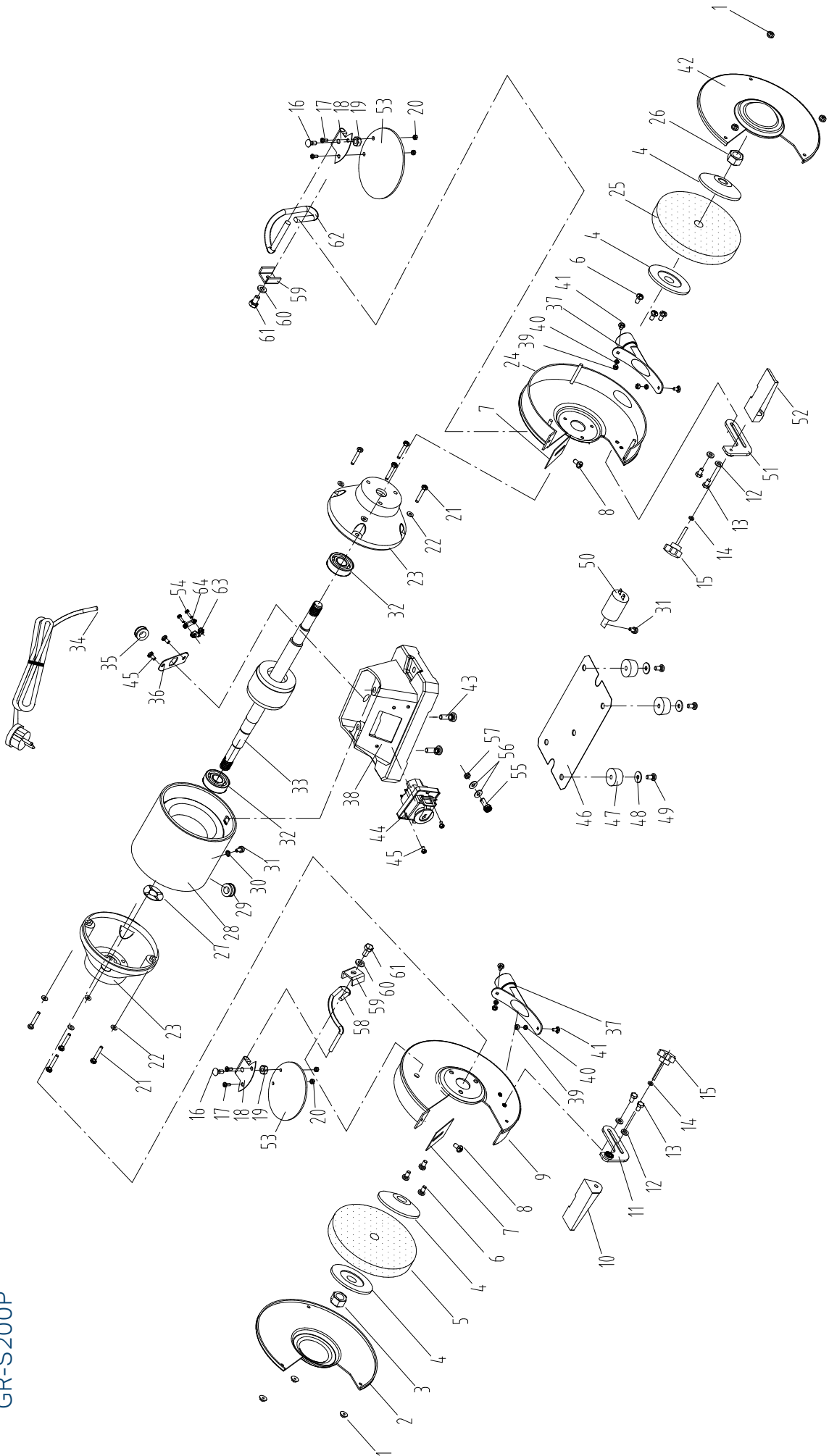
Repairs to the Bench Grinder should be performed by trained personnel only. Unauthorised repairs or replacement with non-factory parts could cause serious injury to the operator and damage to the Grinder.





# PARTS DIAGRAM

## 8" Low Speed 750W Bench Grinder GR-S200P

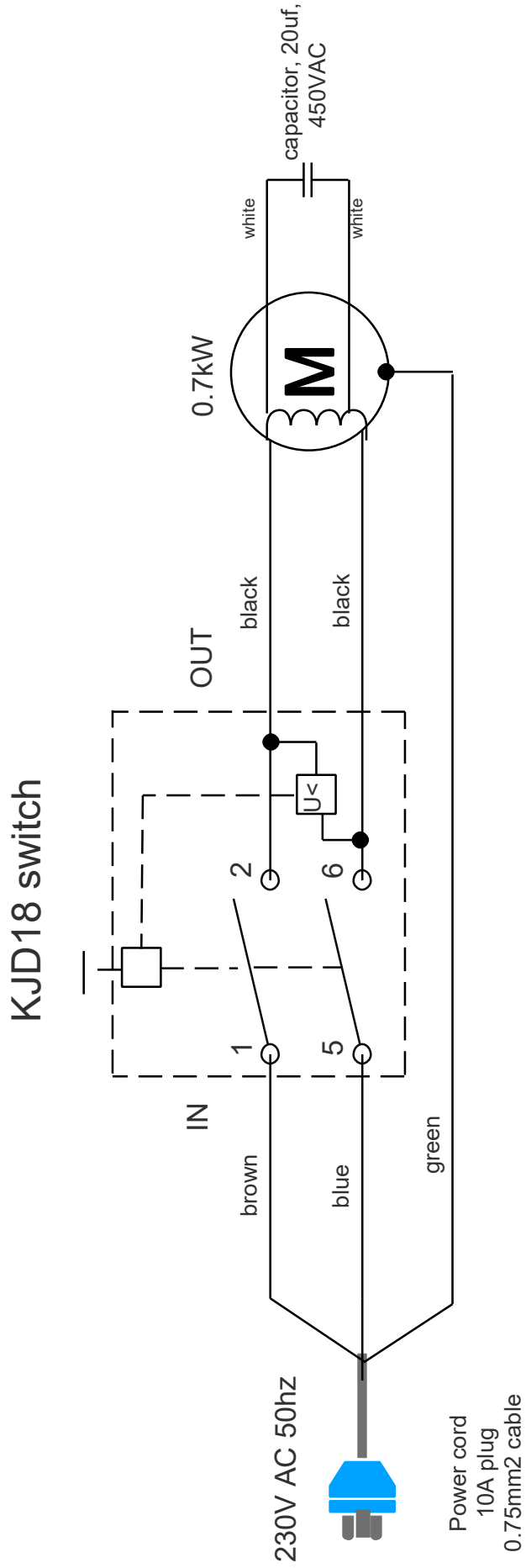


## PARTS LIST

ITEM CODE	DESCRIPTION	ITEM CODE	MFG. PART NO.
GR-S200P-1	TYPE I NUT M6	GR-S200P-33	ROTOR
GR-S200P-2	LEFT WHEEL COVER PLATE	GR-S200P-34	POWER CORD WITH PLUG-SAA
GR-S200P-3	TYPE I NUT M16 LEFT	GR-S200P-35	CORD CLIP
GR-S200P-4	FLANGE	GR-S200P-36	CORD BASE PLATE
GR-S200P-5	LEFT WA GRINDING WHEEL 200 X 25 X 15.88MM - 80G	GR-S200P-37	DUST PORT
GR-S200P-6	PHILIPS SCREW+SPRING WASHER ASSY M6X18	GR-S200P-38	BASE
GR-S200P-7	SPARK DEFLECTOR	GR-S200P-39	TYPE I HEX NUT M5
GR-S200P-8	PHILIPS SCREW+SPRING WASHER+FLAT WASHER ASSY M5X10	GR-S200P-40	SPRING WASHER D5
GR-S200P-9	LEFT WHEEL INNER COVER	GR-S200P-41	SQUARE NECK BOLT M5×12
GR-S200P-10	LEFT MOVEABLE WORK REST	GR-S200P-42	RIGHT WHEEL COVER PLATE
GR-S200P-11	LEFT FIXING WORK REST	GR-S200P-43	HEX BOLT+SPRING WASHER M8X25
GR-S200P-12	FLAT WASHER D8	GR-S200P-44	NVR SWITCH WITH RED COVER KJD18
GR-S200P-13	HEXAGON BOLT M8×12	GR-S200P-45	PHILIPS SCREW M4X8
GR-S200P-14	FLAT WASHER D6	GR-S200P-46	BASE COVER PLATE
GR-S200P-15	WORK REST LOCKING KNOB	GR-S200P-47	RUBBER FOOT
GR-S200P-16	CUP HEAD SQUARE NECK SCREW M6X18	GR-S200P-48	BIG FLAT WASHER D5
GR-S200P-17	PHILIPS SCREW M4X10	GR-S200P-49	PHILIPS SCREW M5X20
GR-S200P-18	EYESHIELD PRESSING PLATE	GR-S200P-50	CAPACITOR 20UF/450V
GR-S200P-19	FLANGE FACE NUT M6	GR-S200P-51	RIGHT FIXING WORK REST
GR-S200P-20	FLANGE FACE NUT M4	GR-S200P-52	RIGHT MOVEABLE WORK REST
GR-S200P-21	PHILIPS SCREW M6 × 25	GR-S200P-53	FLAT EYESHIELD-OVAL
GR-S200P-22	SPRING WASHER D6	GR-S200P-54	PHILIPS SCREW M4X16
GR-S200P-23	END COVER	GR-S200P-55	PHILIPS SCREW M4X16
GR-S200P-24	RIGHT WHEEL INNER COVER	GR-S200P-56	STAR LOCKING WASHER D4
GR-S200P-25	RIGHT WA GRINDING WHEEL 200 X 25 X 15.88MM - 120G	GR-S200P-57	HEX NUT M4
GR-S200P-26	TYPE I HEX NUT M16	GR-S200P-58	LEFT EYESHIELD BRACKET
GR-S200P-27	WAVE WASHER D52	GR-S200P-59	PRESSING PIECE
GR-S200P-28	STATOR	GR-S200P-60	FLAT WASHER D6
GR-S200P-29	POWER CORD SHEATH	GR-S200P-61	HEX BOLT M6X14
GR-S200P-30	STAR LOCKING WASHER D4	GR-S200P-62	RIGHT EYESHIELD BRACKET
GR-S200P-31	PHILIPS SCREW+SPRING WASHER+FLAT WASHER ASSY M4X8	GR-S200P-63	STRAIN RELIEF PLATE
GR-S200P-32	BEARING 6205-RZ	GR-S200P-64	STRAIN RELIEF SUBPLATE

# WIRING DIAGRAM

**8" Low Speed  
750W Bench Grinder**  
GR-S200P



# TROUBLESHOOTING

**TO PREVENT INJURY TO YOURSELF** or damage to the Bench Grinder, press the **"OFF"** button and unplug the power cord from the electrical receptacle before making any adjustments.

PROBLEM	LIKELY CAUSE(S)	SOLUTION(S)
<b>Motor does not run</b>	<ol style="list-style-type: none"> <li>1. Machine not plugged in</li> <li>2. Power switch in <b>"OFF"</b> position</li> <li>3. Power switch or cord is faulty Fuse or circuit breaker are open</li> <li>4. Material wedged between wheel and tool rest or guard</li> </ol>	<ol style="list-style-type: none"> <li>1. Plug power cord into electrical receptacle</li> <li>2. Lift switch to <b>"ON"</b> position</li> <li>3. Replace switch or power cord</li> <li>4. Overloaded electrical circuit</li> <li>5. Turn grinder off, unplug power cord and remove material</li> </ol>
<b>Motor does not have full power</b>	<ol style="list-style-type: none"> <li>1. Incorrect line voltage</li> <li>2. Motor capacitor has failed</li> </ol>	<ol style="list-style-type: none"> <li>1. Have a qualified electrician check circuit for proper voltage</li> <li>2. Replace motor capacitor</li> </ol>
<b>Motor runs hot</b>	<ol style="list-style-type: none"> <li>1. Motor is overloaded</li> <li>2. Poor air circulation around motor</li> <li>3. Overuse in high ambient temperature room</li> </ol>	<ol style="list-style-type: none"> <li>1. Reduce pressure on work piece</li> <li>2. Remove any blockage around motor</li> <li>3. Reduce runtime to 20 minutes or less</li> </ol>
<b>Motor stalls or runs slow</b>	<ol style="list-style-type: none"> <li>1. Motor is overloaded</li> <li>2. Incorrect line voltage Motor capacitor has failed</li> </ol>	<ol style="list-style-type: none"> <li>1. Reduce pressure on work piece</li> <li>2. Have a qualified electrician check circuit for proper voltage</li> <li>3. Replace motor capacitor</li> </ol>
<b>Fuses blow or circuit breaker trips</b>	<ol style="list-style-type: none"> <li>1. Motor is overloaded</li> <li>2. Overloaded electrical circuit</li> <li>3. Undersized fuse or circuit breaker</li> <li>4. Defective cord, plug or switch creating a short circuit</li> <li>5. Undersized or excessive length of extension cord, see page 12</li> <li>6. Material wedged between wheel and tool rest or guard</li> </ol>	<ol style="list-style-type: none"> <li>1. Reduce pressure on work piece</li> <li>2. Reduce the amount of items on circuit</li> <li>3. Replace with correct fuse or circuit breaker</li> <li>4. Replace with new parts</li> <li>5. Use correct size and length of extension cord</li> <li>6. Turn grinder off, unplug power cord and remove material</li> </ol>

# TROUBLESHOOTING

## CORRECTING EXCESSIVE WHEEL WOBBLE

The performance of your bench grinder can be improved with just a little time performing a few simple tune-up steps. Make sure the grinder is always unplugged during any adjustment or wheel changes.

The large flange washers may not run perfectly true and can be adjusted by making a reference mark on each flange washer and the wheel to record their original location. Next, loosen the shaft nut and slightly rotate one flange washer clockwise and the other counterclockwise.

These movements should only be about one-half an inch at a time; then snug up the shaft nut by hand and spin the wheel by hand. Observe any change. This rotation should minimize any oscillation caused by flange washers. Now re-tighten the shaft nuts and dress the wheel. The center bushings supplied by aftermarket grinding wheel

manufacturers are designed to roughly center the wheel on the shaft. The flange washers hold the wheel; dressing with a wheel dresser will make the wheel run true.

If adjusting the flange washers does not make the wheel run without side-to-side oscillation, then remove the wheel and flange washers and check the shoulder on the motor shaft at the point where the flange washer seats against it. A slight burr on the edge of the shoulder can stop the flange washer from seating properly. This can be removed by using a file to smooth the edge of the shoulder. Look for any roughness on the surfaces of the flange washers and smooth these spots on sandpaper placed on a flat surface. Then replace the wheel, re-adjust the flange washers, and dress the wheel.

## 2 YEAR WARRANTY

### WARRANTY

- A. We warrant that this Carbatec product will be free from defects caused by faulty workmanship or faulty materials for a period of 2 years from date of sale.
- B. This warranty is in addition to other rights and remedies you may have under a law in relation to the goods.
- C. This warranty does not apply in any of the following cases:
- i. defects arising from:
    1. fair wear and tear;
    2. corrosive atmosphere;
    3. damage or injury caused by deliberate act, lack of care or failure to comply with the recommended care and maintenance for the goods;
    4. improper use of the goods;
    5. alterations or repairs (not made by us) to the goods;
  - ii. defects arising from an event outside of our control such as fire, flood, earthquake or other natural calamity, motor vehicle or other accident, strike, civil unrest, terrorism or war;
  - iii. to accessory items such as after-market jigs, accessories or other items which are not sold or serviced by us and which are not sold with or were not included with the main unit purchased; or
  - iv. to wearable parts such as drive belts/shafts, bearings, bandsaw tyres, motor brushes, blades or abrasive belts/discs or other cutting or machining implements.
  - v. damage caused to any electrical component, where connected to a power supply outside the country for which it was designed (namely Australia or New Zealand).
- D. If this warranty applies and you have complied with the procedure below for making a claim, we will, at our election, either repair the goods (or those parts of the goods recognised as defective) or will provide a replacement within a reasonable time at our expense.
- E. If this warranty applies, the procedure for making a claim is:
- i. you must contact us by email;
  - ii. you must include in the email the following information:
    1. a copy of the order or receipt for the goods;
    2. the serial or batch number printed on the machinery manufacturing plate; and
    3. a detailed description of the fault and how and when it arose; and
  - iii. If the fault is a type covered by this warranty, we will then make arrangements with you for the return of the goods to us (for repair or replacement) at our cost using our transport providers or we may decide to attend at your premises to repair or replace the goods.
- F. Our liability (and that of our resellers) under this warranty is wholly limited to repair or replacement of the goods (or those parts of the goods recognised as defective) in accordance with the procedure above and you have no right to other compensation, costs or damages under this warranty. But this does not mean that you may not have other rights under a law in relation to the goods.
- G. If following our inspection of goods returned by you under this warranty it is found that this warranty does not apply and you are not otherwise entitled to repair or replacement by us, you must, if requested by us, reimburse our costs including parts, labour and freight.
- H. This warranty is not transferable and only the person who purchased the goods may make a claim.
- I. Where the goods have been exported outside Australia or New Zealand, the Company may not require the Purchaser to return any allegedly faulty or defective Product for evaluation. However, the Company has the right to request the return for evaluation at purchasers cost.

### STATUTORY NOTICE

Our goods come with guarantees that cannot be excluded under the Australian Consumer Law. You are entitled to a replacement or refund for a major failure and for compensation for any other reasonably foreseeable loss or damage. You are also entitled to have the goods repaired or replaced if the goods fail to be of acceptable quality and the failure does not amount to a major failure.



Carbatec Pty Ltd

E [info@carbatec.com.au](mailto:info@carbatec.com.au)

AU: 1800 658 111

NZ: 0800 444 329

1/364 New Cleveland Rd,  
Tingalpa QLD 4173,  
Australia

ABN 84 010 706 242

[carbatec.com.au](http://carbatec.com.au)

carbatec®

**2** YEAR  
WARRANTY